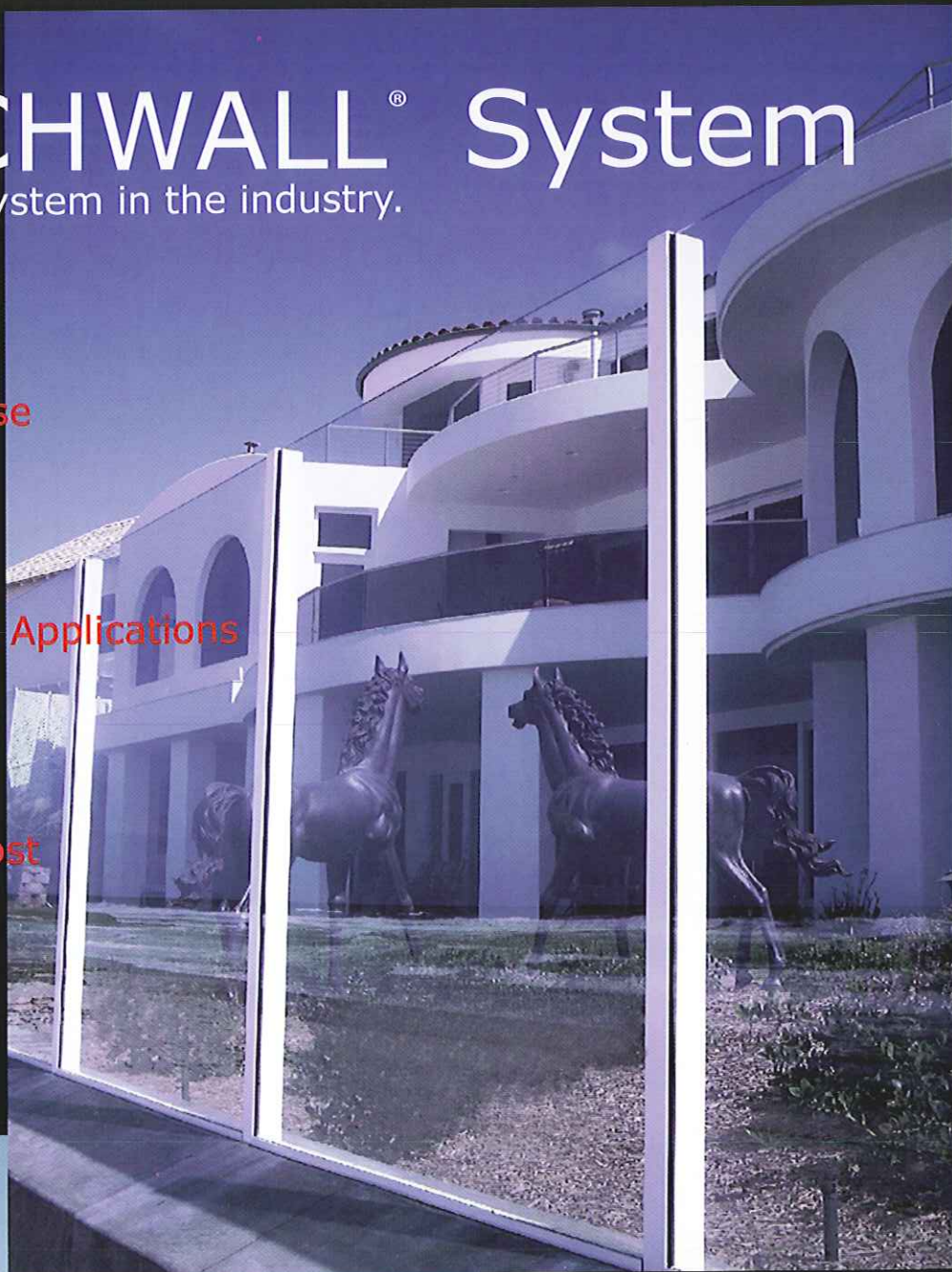


Introducing The TECHWALL® System

The finest glass wall system in the industry.

- **Attractive**
- **Reduces Street Noise**
- **Maintenance Free**
- **Adaptable for Many Applications**
- **Short Lead-time**
- **Surprisingly Low Cost**
- **Rapid Installation**



The TECHWALL® system was developed to create a maintenance free, modern style that provides a clear and unobstructed view of surrounding environments.



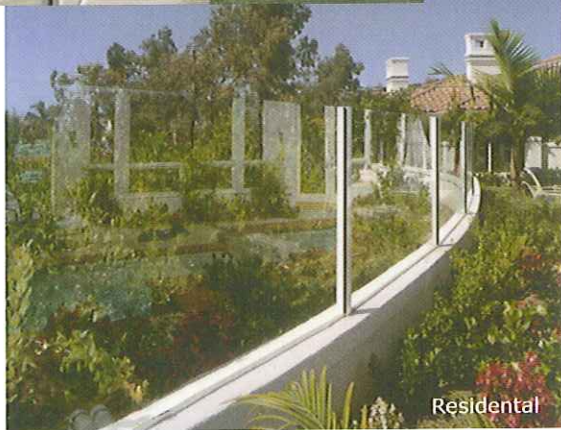
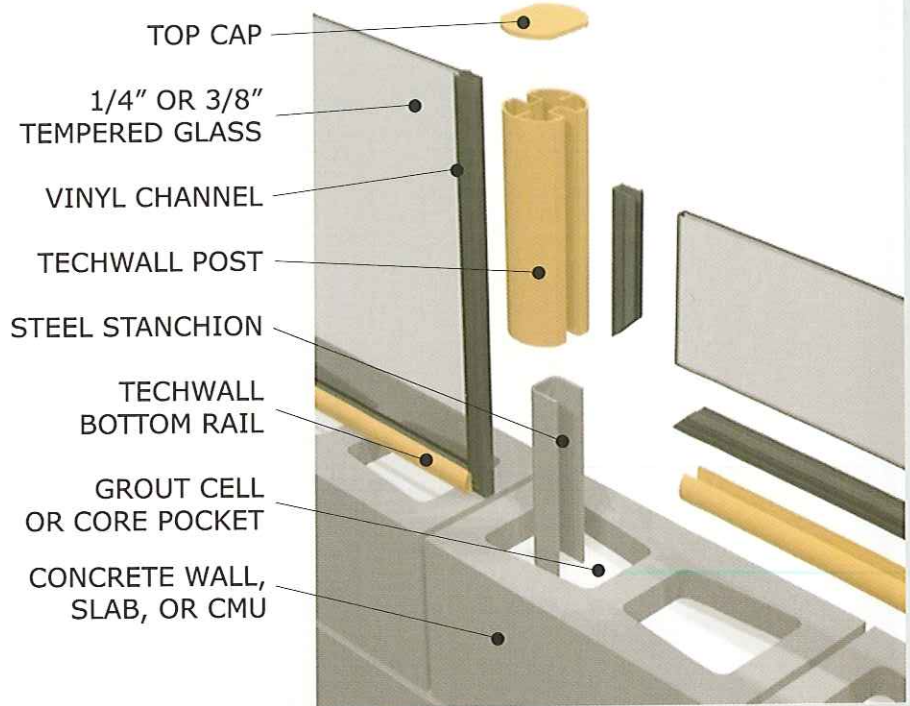
PORTLAND • SEATTLE • SAN DIEGO • KONA • TAMPA



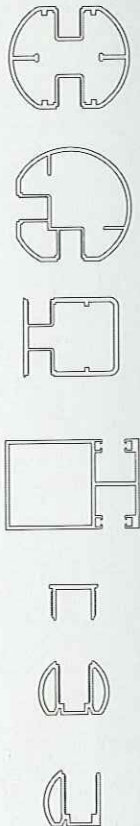
HANSEN
ARCHITECTURAL
SYSTEMS

WORLD-CLASS ALUMINUM PRODUCTS

TEHWALL® incorporates in its design a variety of important components. The system's superior corrosion resistance is achieved using a one-piece aluminum post with a baked-on polyester powder coating. The 1/4" or 3/8" glass is secured into the post using a weather tight, vibration-free vinyl channel that is impervious to ultraviolet rays. TEHWALL® is available in numerous colors.



Post and Rail Options



HANSEN ARCHITECTURAL SYSTEMS, INC.
 5500 SE Alexander St.
 Hillsboro, OR 97123

Phone: (800) 599-2965
 Fax: (503) 356-8478

Email: info@aluminumrailing.com
 Website: www.aluminumrailing.com

PORTLAND • SEATTLE • SAN DIEGO • KONA • TAMPA



WORLD-CLASS ALUMINUM PRODUCTS