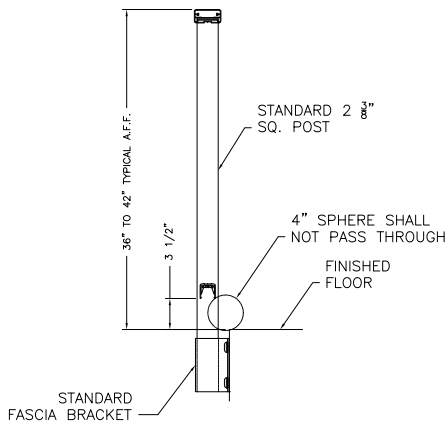




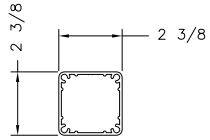
WORLD CLASS ARCHITECTURAL PRODUCTS

HANSEN
ARCHITECTURAL
SYSTEMS

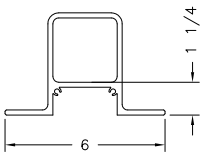
5500 SE ALEXANDER ST. HILLSBORO OR. 97123
PH. 503-356-0959 FAX 503-356-8478



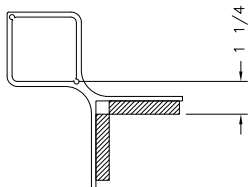
TYPICAL RAILING SECTION



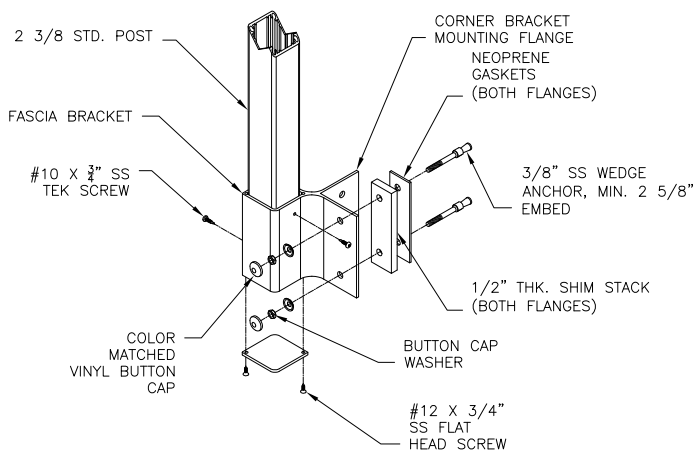
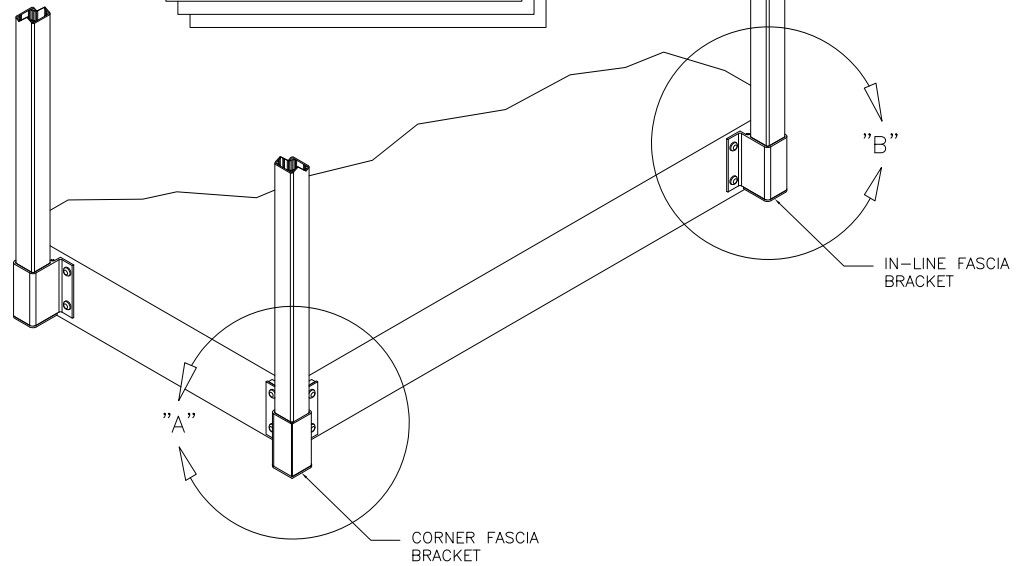
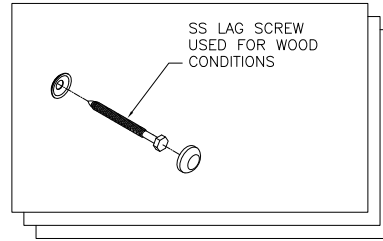
STD. POST
SCALE: 3X



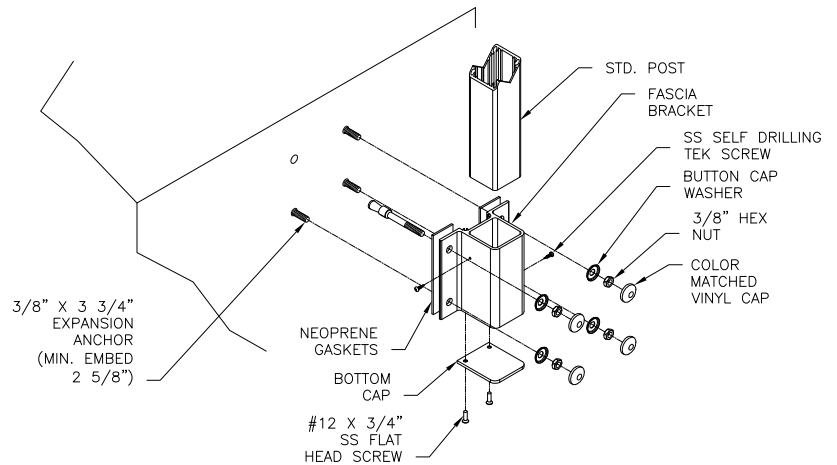
IN-LINE FASCIA BRACKET
SCALE: 3X



CORNER FASCIA BRACKET
SCALE: 3X



A FASCIA BRACKET MOUNTING DETAIL
SCALE: 1.5X



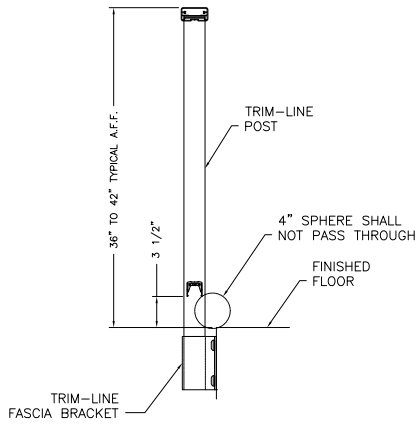
B FASCIA BRACKET MOUNTING DETAIL
SCALE: 1.5X



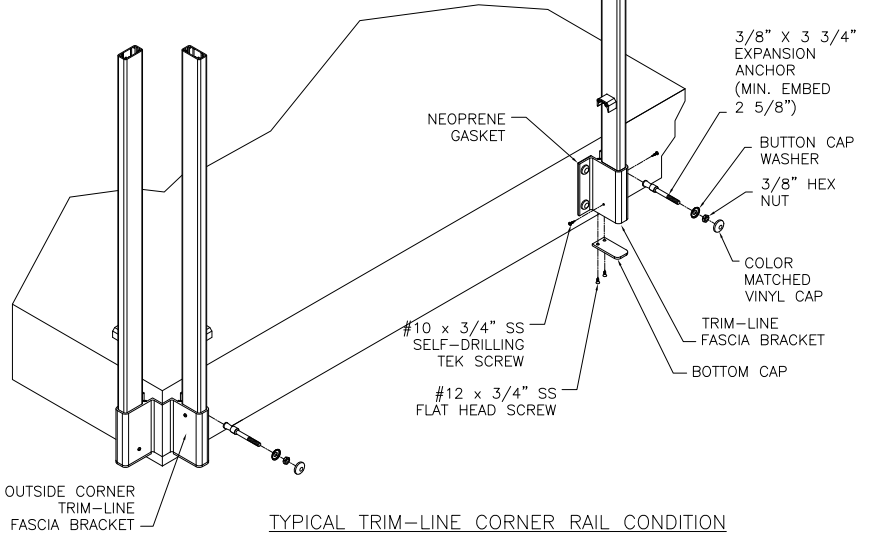
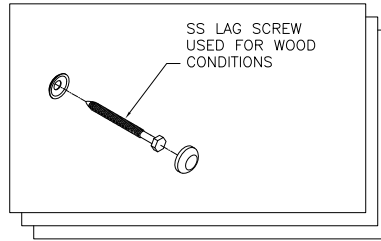
WORLD CLASS ARCHITECTURAL PRODUCTS

HANSEN
ARCHITECTURAL
SYSTEMS

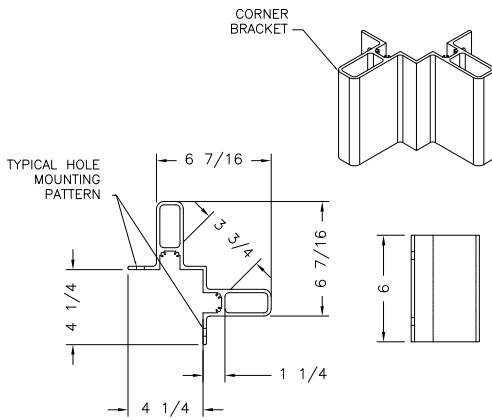
5500 SE ALEXANDER ST. HILLSBORO OR. 97123
PH. 503-356-0959 FAX 503-356-8478



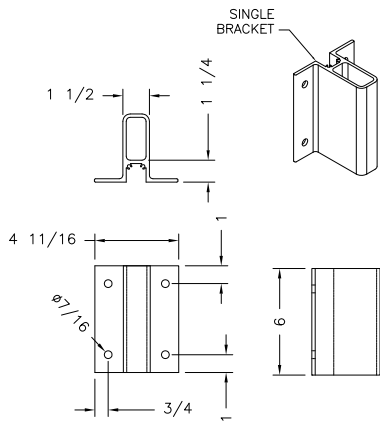
TYPICAL RAILING SECTION



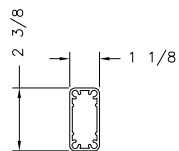
TYPICAL TRIM-LINE CORNER RAIL CONDITION



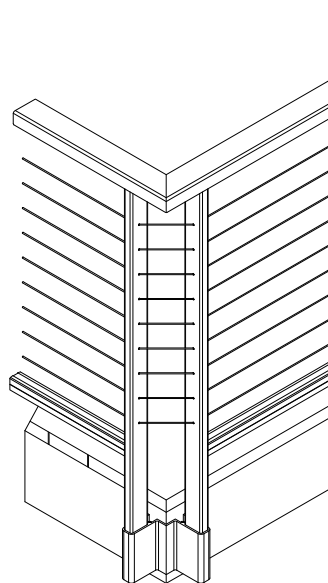
TRIM-LINE FASCIA CORNER BRACKET



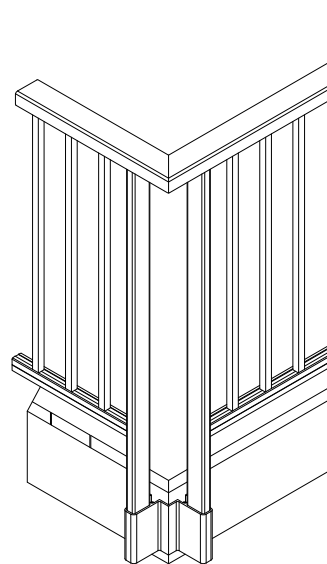
TRIM-LINE FASCIA IN-LINE BRACKET



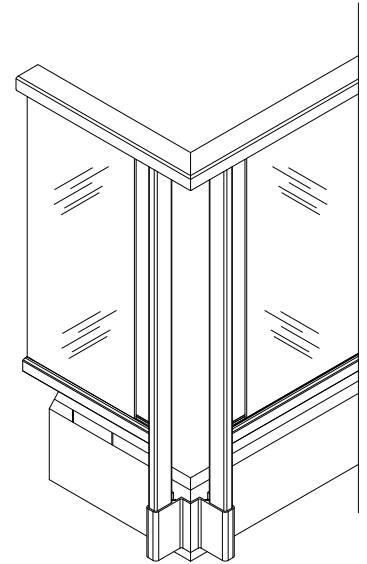
TRIM-LINE POST



CABLE INFILL CORNER



PICKET INFILL CORNER



GLASS INFILL CORNER