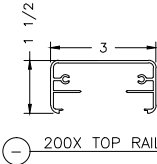
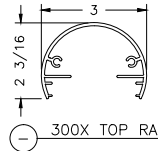


SERIES 200 PROFILE

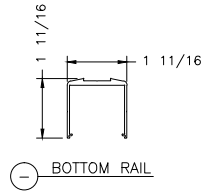


200X TOP RAIL

SERIES 300 PROFILE

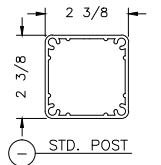


300X TOP RAIL

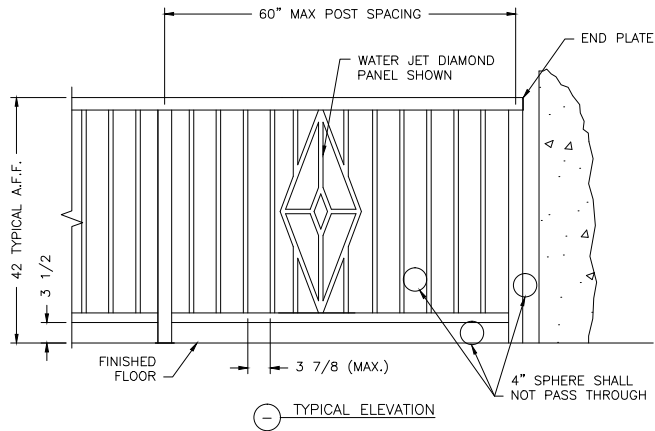


BOTTOM RAIL

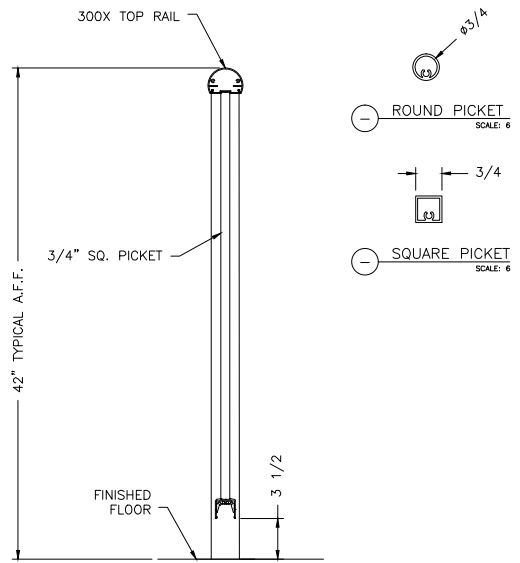
NOTE:  
 SEE TOP RAIL PROFILE  
 PAGE FOR ALL HANSEN  
 TOP RAILS



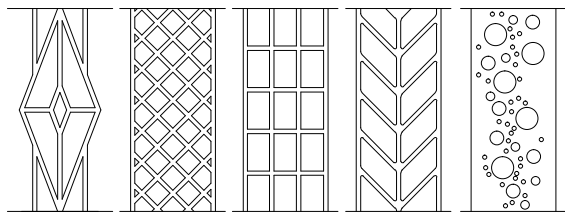
STD. POST



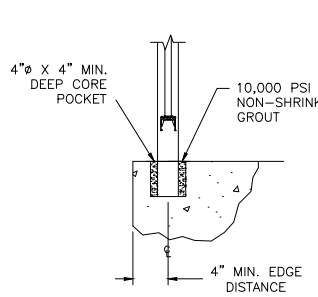
TYPICAL ELEVATION



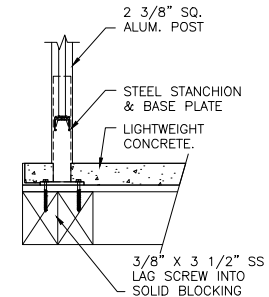
TYPICAL SECTION  
 SCALE: 2



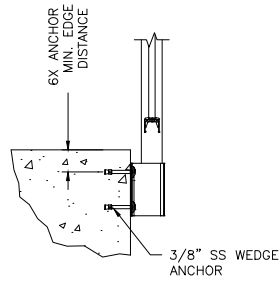
EXAMPLES OF SOME CUSTOM PANEL POSSIBILITIES



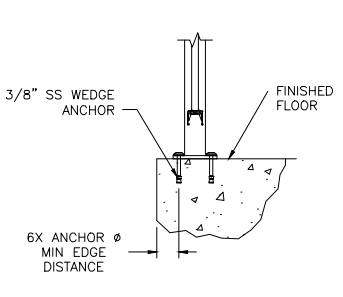
CORE MOUNT



STANCHION MOUNT



FASCIA MOUNT



SURFACE MOUNT