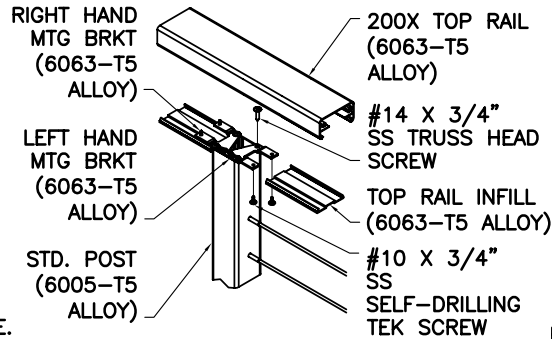
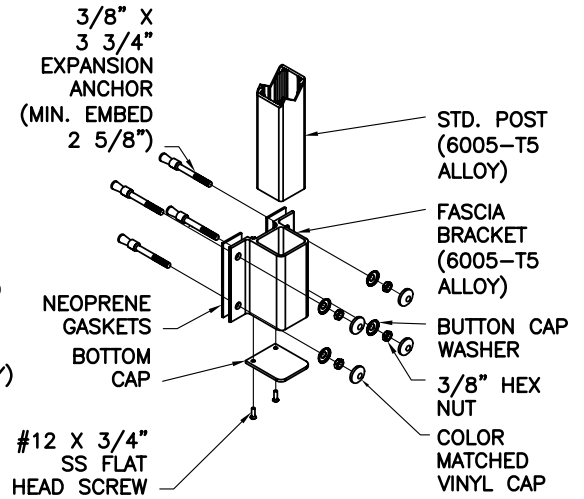


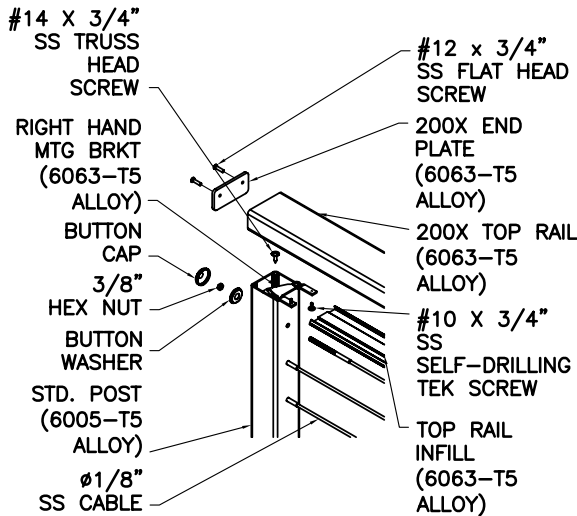
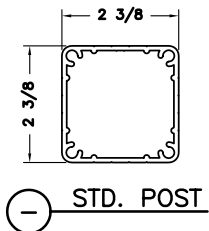
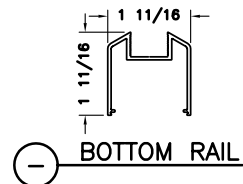
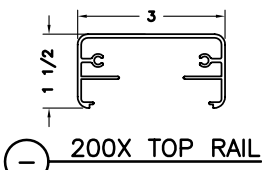
○ SPLICE PLATE DETAIL



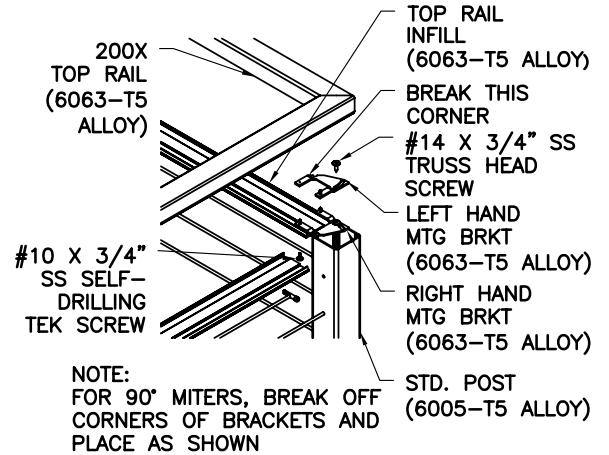
○ TYP. TOP RAIL CONN.



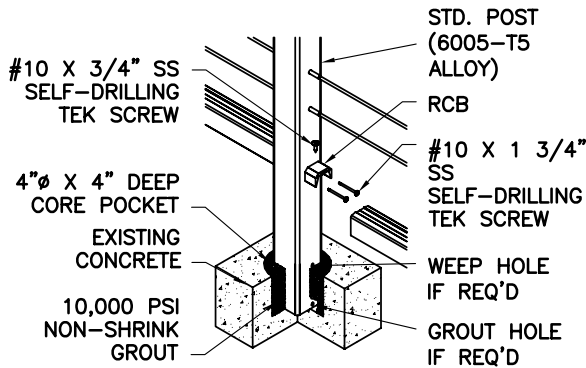
○ FASCIA MOUNTING DETAIL



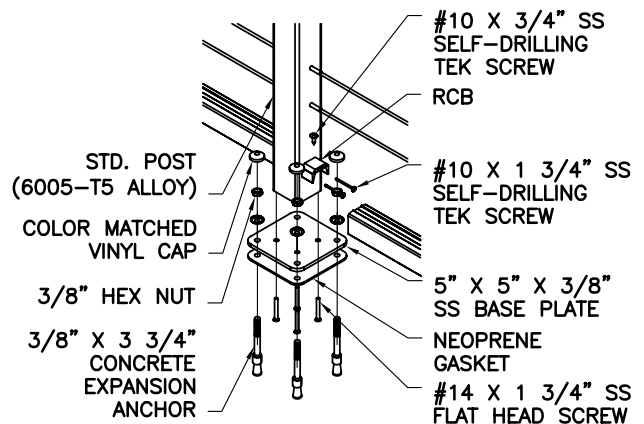
○ END CONDITION DETAIL



○ TYP. CORNER CONNECTION



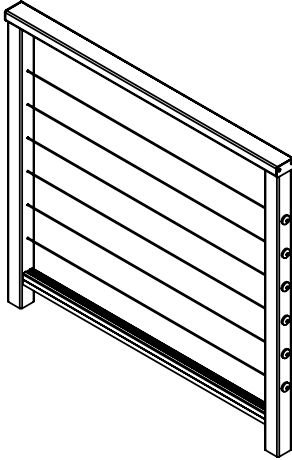
○ POST ONLY CORE POCKET DETAIL



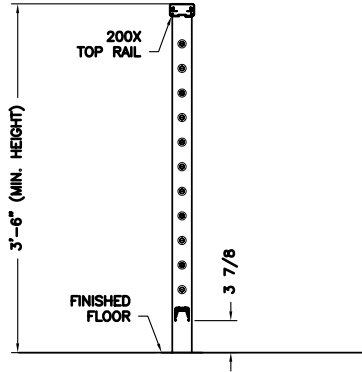
○ SURFACE MOUNTING DETAIL

SERIES 200X CABLE RAILING SYSTEM

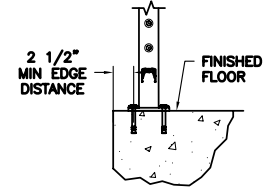
THE INFORMATION CONTAINED IN THIS DRAWING IS THE SOLE PROPERTY OF HANSEN ARCHITECTURAL SYSTEMS, INC. ANY REPRODUCTION IN PART OR AS A WHOLE WITHOUT THE WRITTEN PERMISSION OF HANSEN ARCHITECTURAL SYSTEMS, INC. IS PROHIBITED.



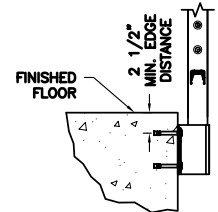
① TYPICAL ISOMETRIC



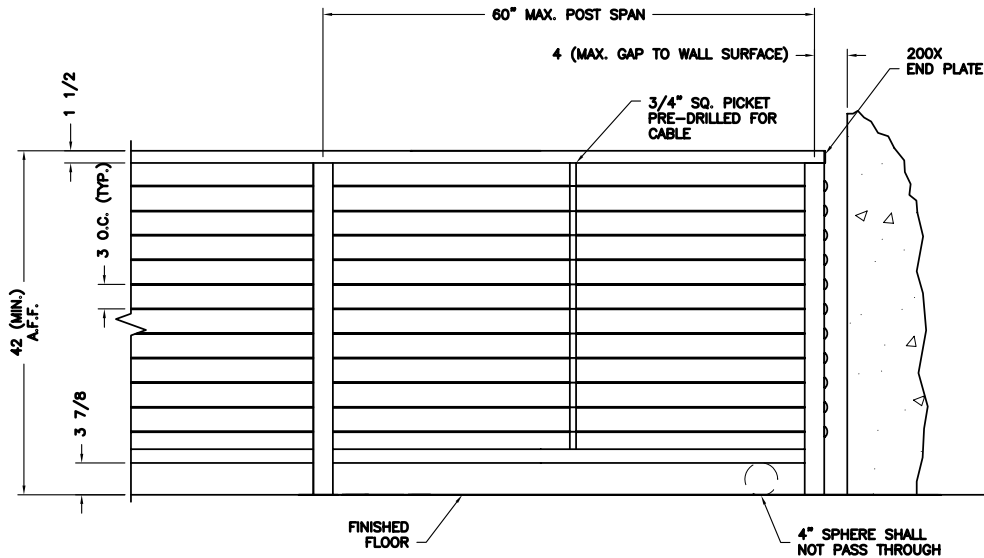
① TYPICAL SECTION



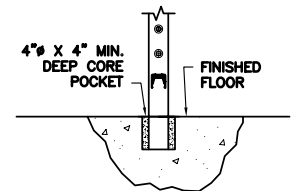
① SURFACE MOUNT



① FASCIA MOUNT



① TYPICAL ELEVATION



① CORE MOUNT

SERIES 200X CABLE RAILING SYSTEM

THE INFORMATION CONTAINED IN THIS DRAWING IS THE SOLE PROPERTY OF HANSEN ARCHITECTURAL SYSTEMS, INC. ANY REPRODUCTION IN PART OR AS A WHOLE WITHOUT THE WRITTEN PERMISSION OF HANSEN ARCHITECTURAL SYSTEMS, INC. IS PROHIBITED.