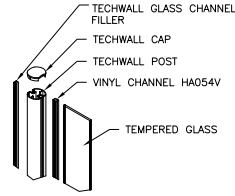
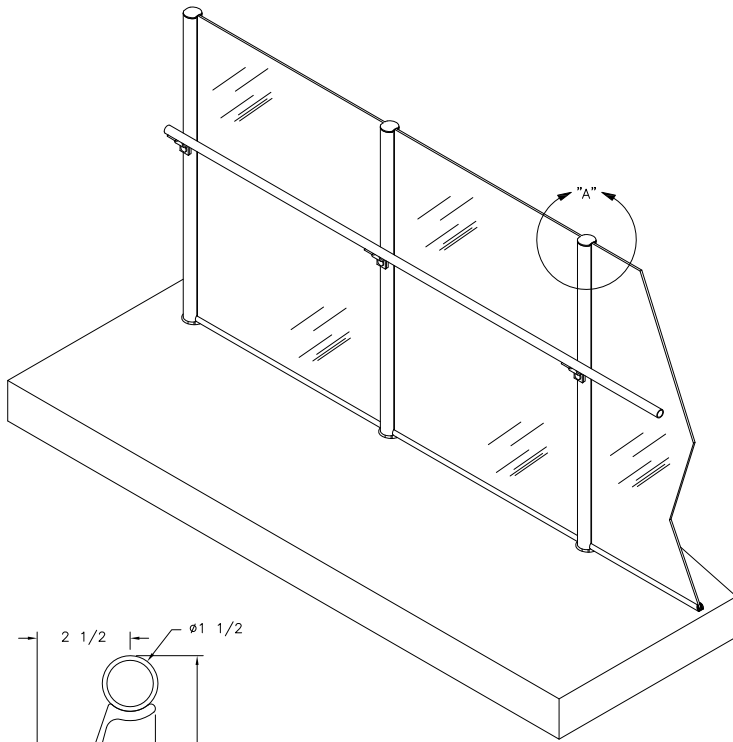




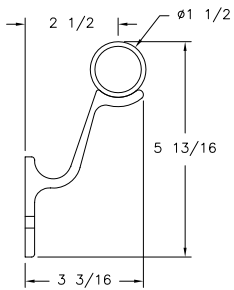
WORLD CLASS ARCHITECTURAL PRODUCTS

HANSEN
ARCHITECTURAL
SYSTEMS

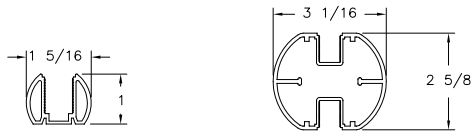
5500 SE ALEXANDER ST. HILLSBORO OR. 97123
PH. 503-356-0959 FAX 503-356-8478



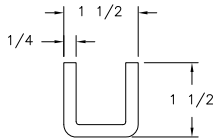
A CONNECTION DETAIL



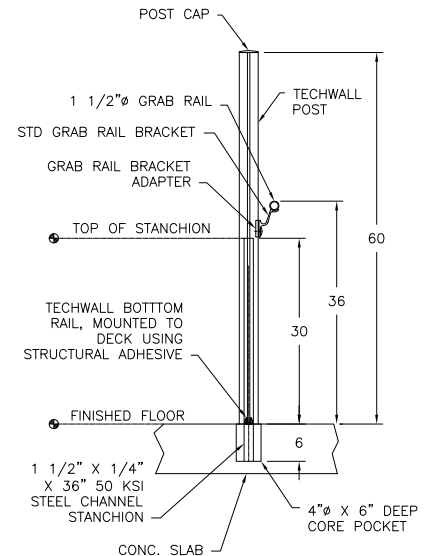
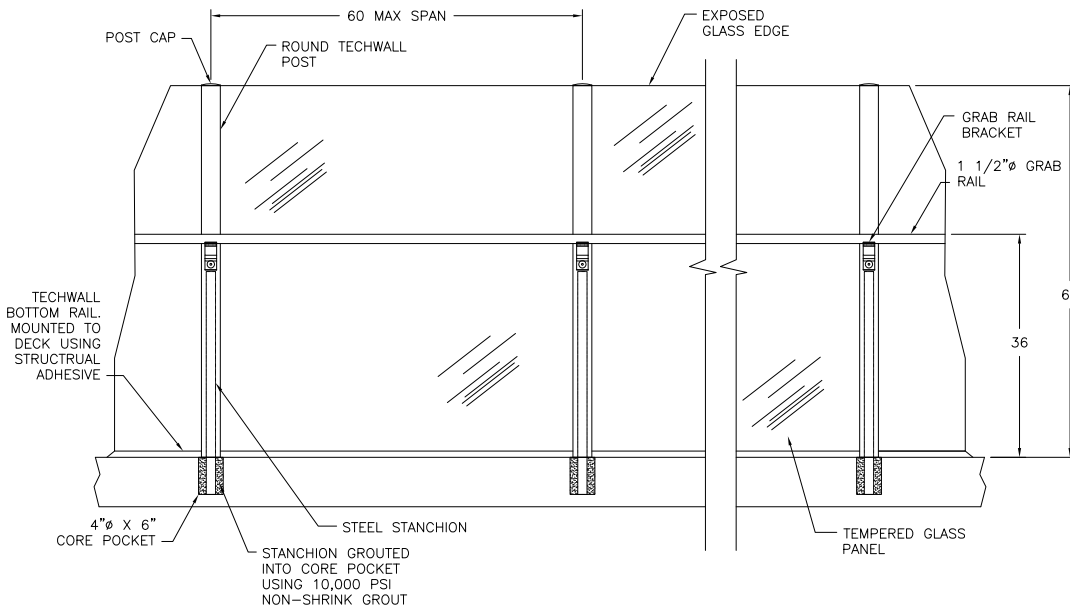
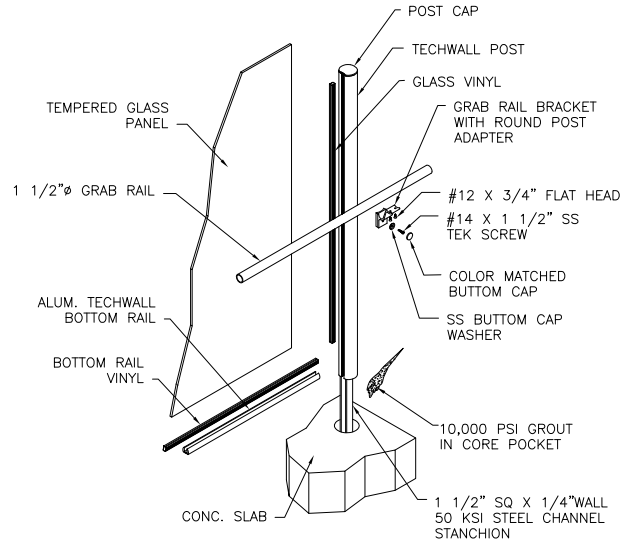
TECH WALL BOTTOM RAIL



TECH WALL POST



STEEL STANCHION



ROUND TECHWALL[®] WITH GRAB RAIL SYSTEM
www.aluminumrailing.com