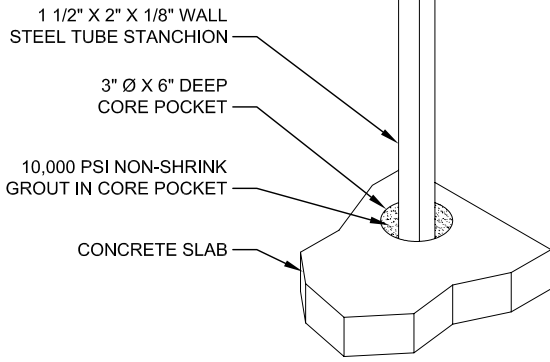




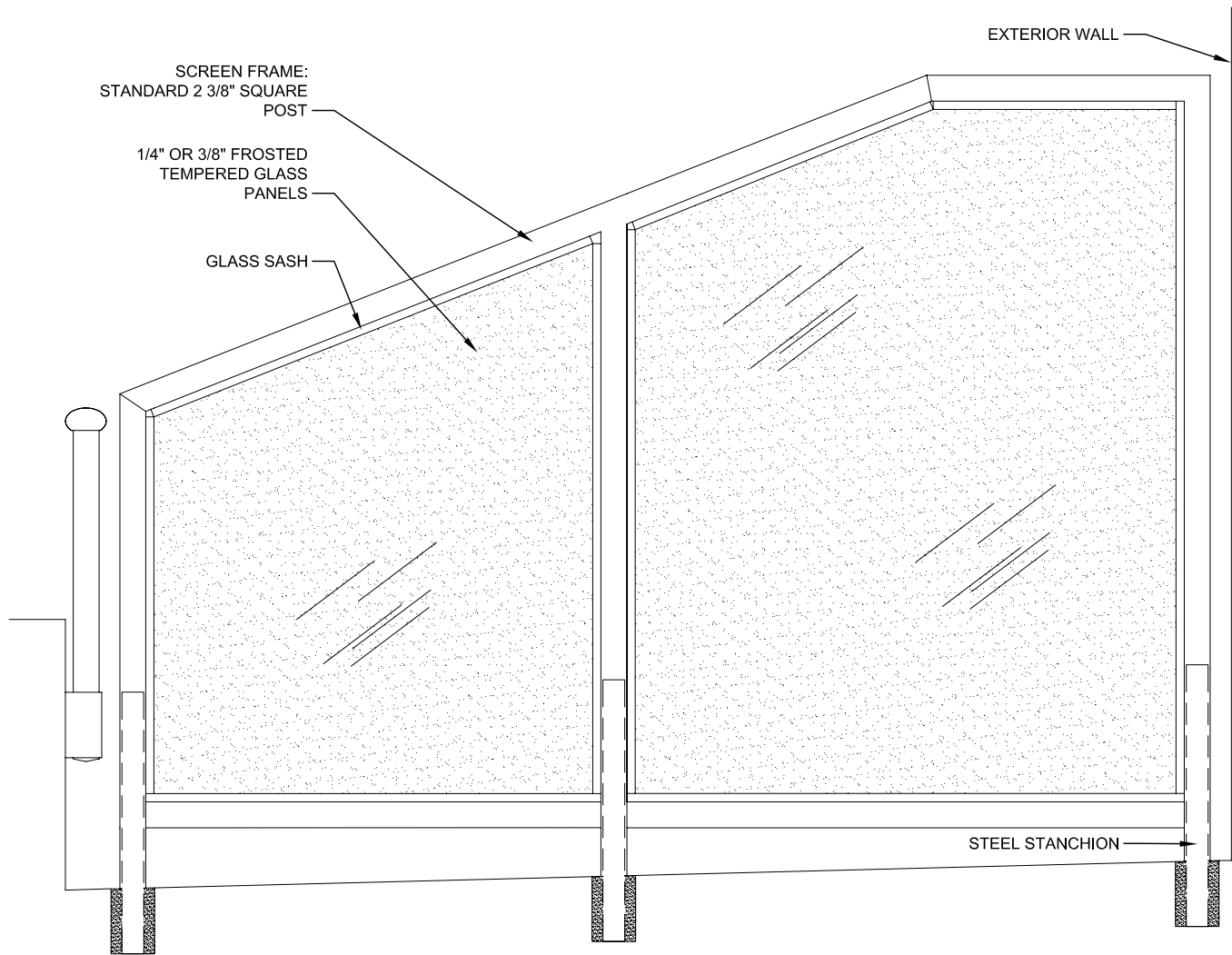
WORLD-CLASS ALUMINUM RAILING

**HANSEN**  
ARCHITECTURAL  
SYSTEMS, INC.

5500 SE ALEXANDER ST. HILLSBORO OR. 97123  
PH. 503-356-0959 FAX 503-356-8478



1 STANCHION BASE DETAIL  
3/4" = 1'-0"



2 ELEVATION  
1/2" = 1'-0"

**OLYMPIC SERIES PRIVACY SCREEN**

[www.aluminumrailing.com](http://www.aluminumrailing.com)

THE INFORMATION CONTAINED IN THIS DRAWING IS THE SOLE PROPERTY OF HANSEN ARCHITECTURAL SYSTEMS, INC. ANY REPRODUCTION IN PART OR AS A WHOLE WITHOUT THE WRITTEN PERMISSION OF HANSEN ARCHITECTURAL SYSTEMS, INC. IS PROHIBITED.