

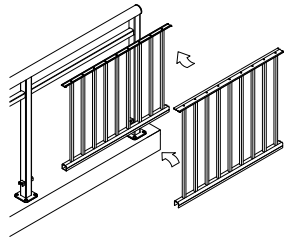


WORLD-CLASS ALUMINUM RAILING

HANSEN
ARCHITECTURAL
SYSTEMS, INC.

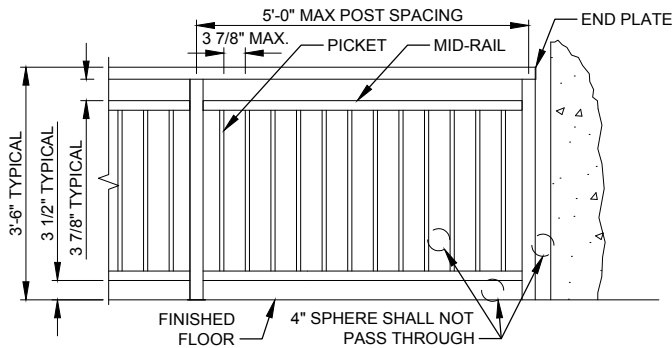
5500 SE ALEXANDER ST. HILLSBORO OR. 97123
PH. 503-356-0959 FAX 503-356-8478

1 ISOMETRIC



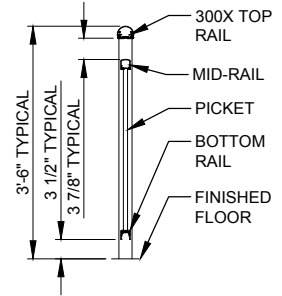
3/16" = 1'-0"

2 ELEVATION

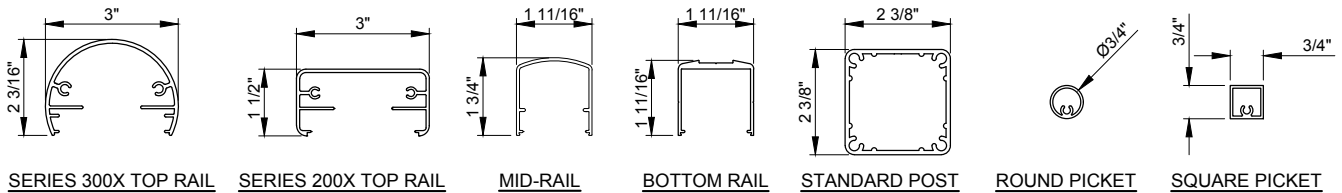


3/8" = 1'-0"

3 SECTION

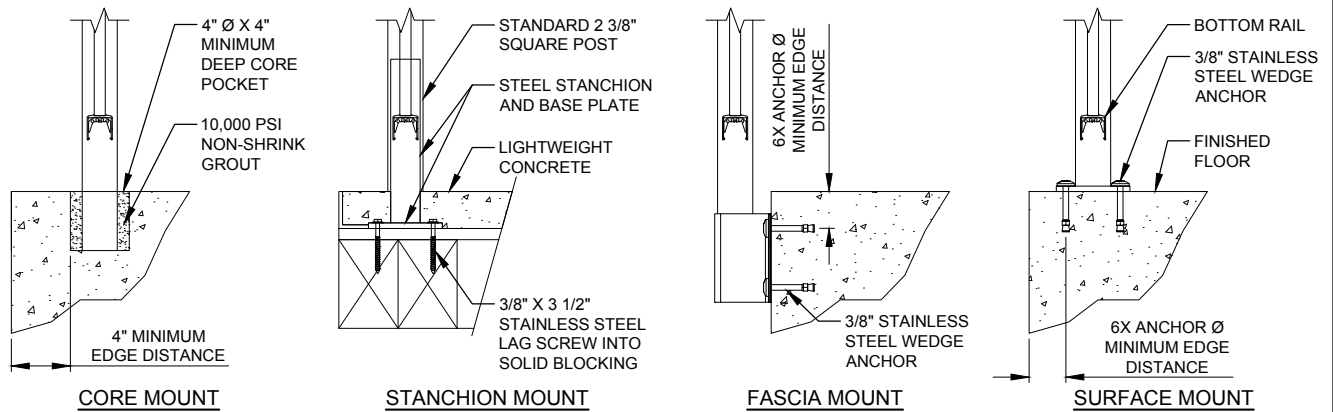


3/8" = 1'-0"



4 PROFILES - SEE TOP RAIL PROFILE SHEET FOR ALL HANSEN TOP RAIL PROFILES

3" = 1'-0"



5 MOUNTING DETAILS

1" = 1'-0"

SERIES 200X AND 300X PICKET RAILING SYSTEM WITH MID-RAIL

www.aluminumrailing.com

THE INFORMATION CONTAINED IN THIS DRAWING IS THE SOLE PROPERTY OF HANSEN ARCHITECTURAL SYSTEMS, INC. ANY REPRODUCTION IN PART OR AS A WHOLE WITHOUT THE WRITTEN PERMISSION OF HANSEN ARCHITECTURAL SYSTEMS, INC. IS PROHIBITED.